



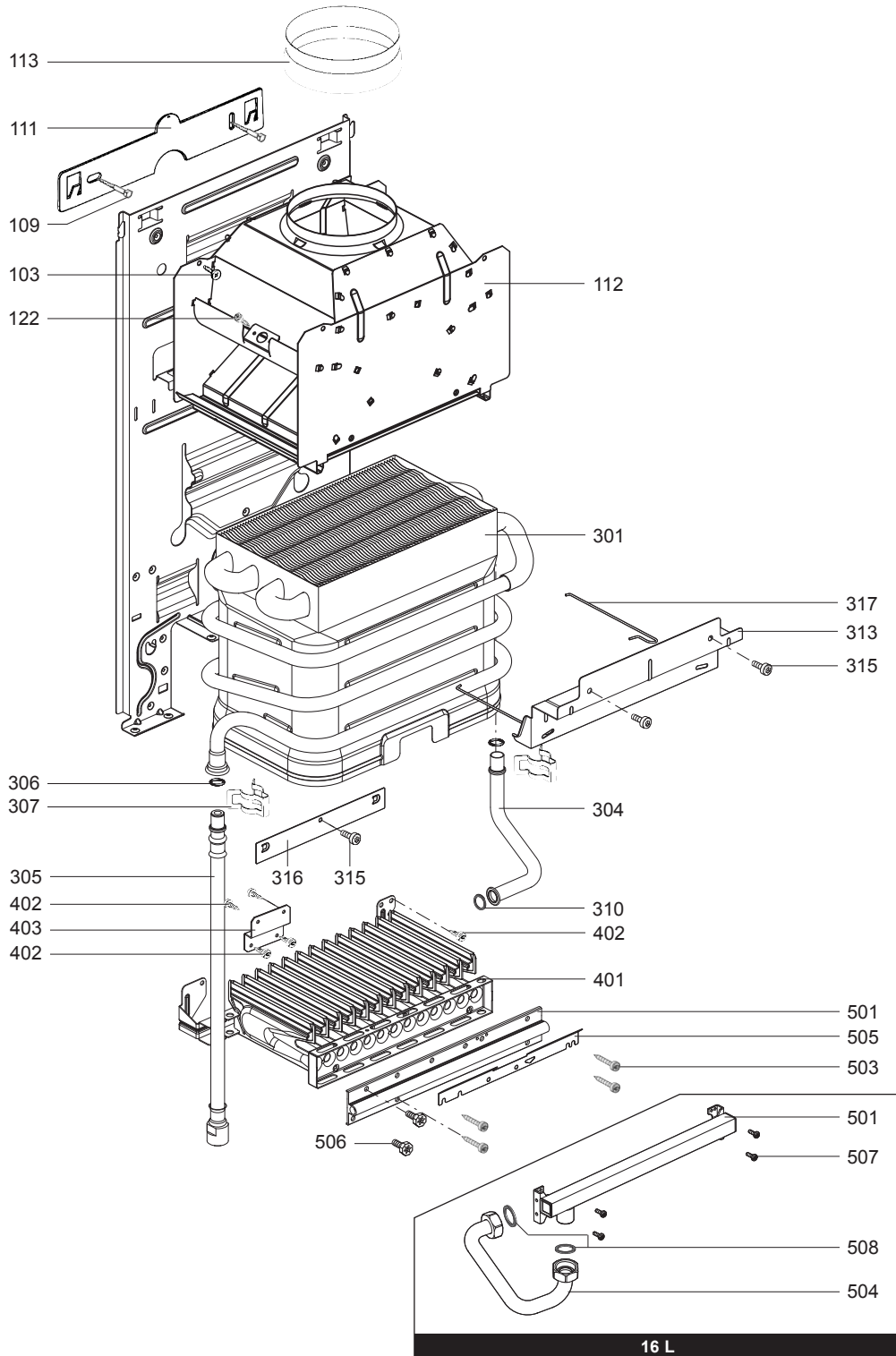
SPARE PARTS EXPLODED VIEW  
INSTANTANEOUS GAS WATER HEATERS  
Model  
**FAST P**

R8202986-05 - 12/09/2013

FAST P

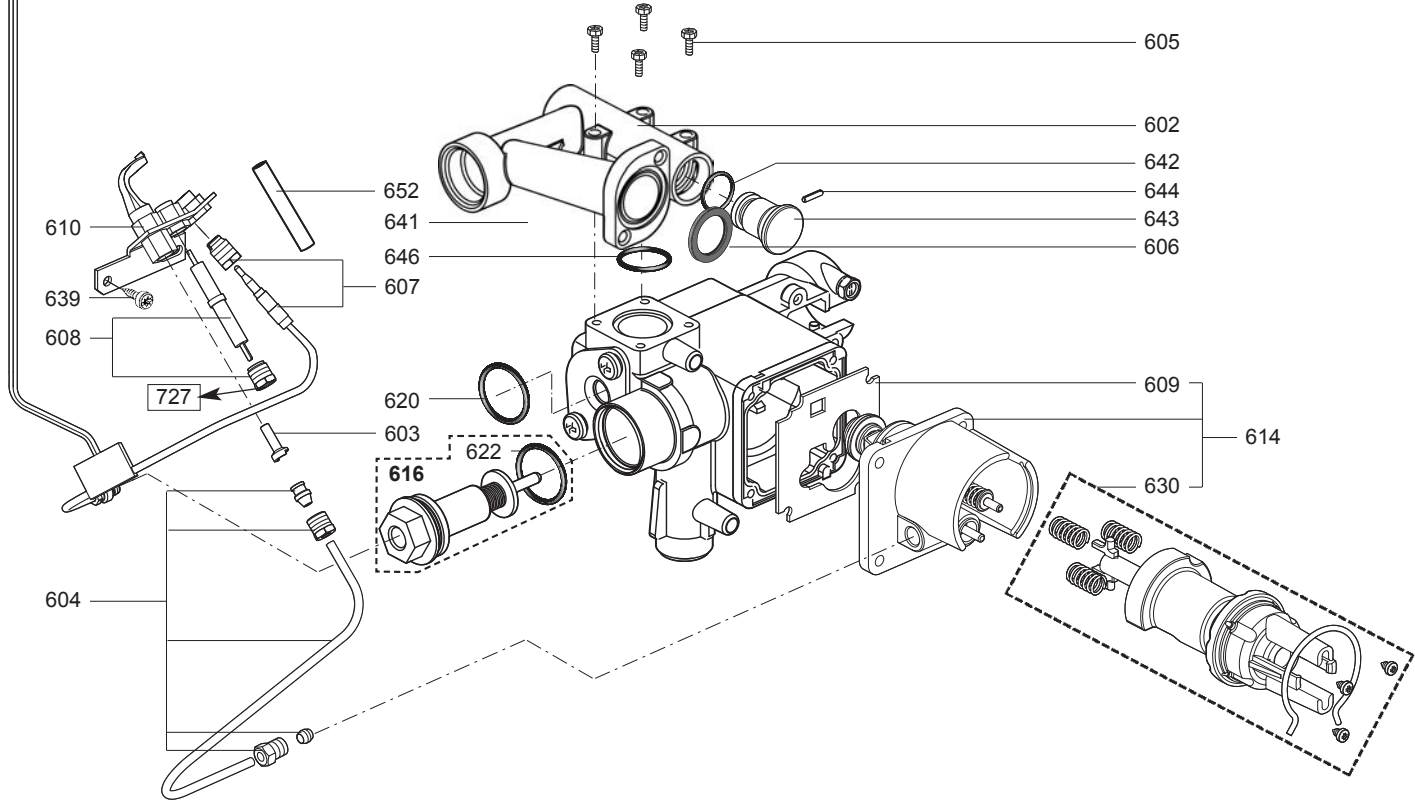
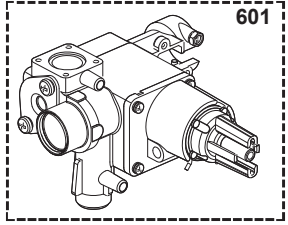
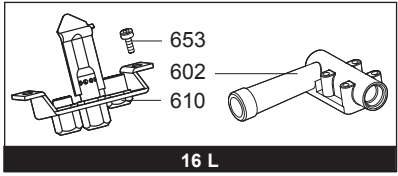
Instantaneous Gas Water Heaters

1	3677013	FAST 11 CF P G20 13 MB RU/UA	10-2005	-
2	3677015	FAST 14 CF P G20 13 MB RU/UA	04-2006	-
3	3677028	FAST 16 CF P G20 13 Mbar RU	01-2006	02-2009
Col	Reference	Model type	Begin	End

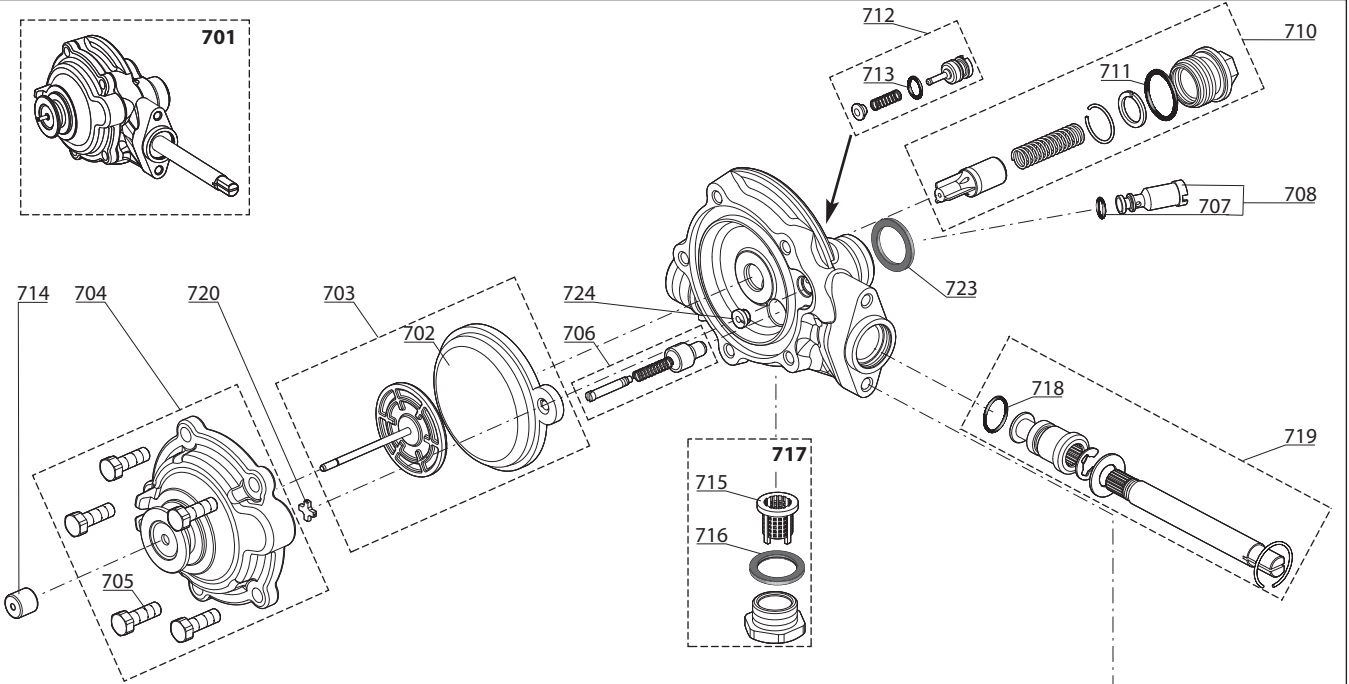
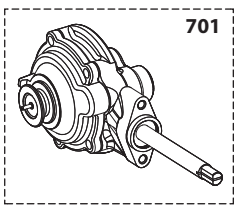


☉⇒	Description	Manf. Pt. N	Type	FAST 11 CF P FAST 14 CF P FAST 18 CF P																	
				1	2	3	4	5	6	7	8	9	10	11	12	13	14	15	16	17	18
<b>0100</b>	<b>КОРПУС</b>																				
0103	ВИНТ-САМОРЕЗ CBLSX D:4.2-9.5	61010125		•	•	•															
0109	ШУРУП	60025617-03		•	•	•															
0111	КРОНШТЕЙН	61007192		•	•	•															
0112	СТАБИЛИЗАТОР ТЯГИ	61312867				•															
	СТАБИЛИЗАТОР ТЯГИ	61313037				•															
0113	ПАТРУБОК ДЫМОУДАЛЕНИЯ	61012134					•														
0122	ВИНТ-САМОРЕЗ CBLZ D:3.5-6.5	60031521-03		•	•																
<b>0300</b>	<b>ТЕПЛООБМЕННИК</b>																				
0301	ТЕПЛООБМЕННИК	60000908					•														
	ТЕПЛООБМЕННИК	61313878		•																	
	ТЕПЛООБМЕННИК	61313901				•															
0304	ТРУБКА ХОЛОДНОЙ ВОДЫ	60000909					•														
	ТРУБКА ХОЛОДНОЙ ВОДЫ	60001168		•														07/08			
	ТРУБКА ХОЛОДНОЙ ВОДЫ	60001169				•												07/08			
	ТРУБКА ХОЛОДНОЙ ВОДЫ	61313435		•															06/08		
	ТРУБКА ХОЛОДНОЙ ВОДЫ	61313437				•													06/08		
0305	ТРУБКА ГОРЯЧЕЙ ВОДЫ	61313860		•	•	•															
0306	О-КОЛЬЦО 12.3X2.4	60024164-47		•	•	•															
0307	КЛИПСА	61001674		•	•	•															
0310	О-КОЛЬЦО 12.3X2.4	60024164-47		•	•													07/08			
	ПЛОСКАЯ ПРОКЛАДКА D:18.4-12.2-1.5	60061855-14		•	•														06/08		
	ПЛОСКАЯ ПРОКЛАДКА D:18.4-12.2-1.5	60061855-14					•														
0313	BEARING PLATE	61312812		•																	
	BEARING PLATE	61312592				•															
0315	ВИНТ-САМОРЕЗ CBLSX D:4.2-9.5	61010125		•	•	•															
0316	FIXING BRACKET	61313749		•	•	•															
0317	ФИКСАТОР	61315211		•	•																
<b>0400</b>	<b>ГОРЕЛКА</b>																				
0401	ОСНОВНАЯ ГОРЕЛКА	60001005					•														
	ОСНОВНАЯ ГОРЕЛКА	61313218				•															
	ОСНОВНАЯ ГОРЕЛКА	61313219		•																	
0402	ВИНТ-САМОРЕЗ CBLSX D:4.2-9.5	61010125		•	•	•															
0403	КРОНШТЕЙН ГОРЕЛКИ	60000912					•														
<b>0500</b>	<b>ГАЗОВЫЙ КОЛЛЕКТОР</b>																				
0501	ГАЗОВЫЙ КОЛЛЕКТОР 13 INJ. G20	60000345	G20	•																	
	ГАЗОВЫЙ КОЛЛЕКТОР 14 INJ. G20	60001029	G20				•														
	ГАЗОВЫЙ КОЛЛЕКТОР 16 INJ. G20	60000347	G20				•														
0503	ВИНТ-САМОРЕЗ CBLSX D:4.2-25	61010128		•	•																
0504	ПАТРУБОК (ГАЗОВЫЙ КЛАПАН/ОСН. ГОРЕЛКА)	60001007					•														
0505	ДЕФЛЕКТОР	61314788		•	•																
0506	ВИНТ НХ М 5-12	61010131		•	•																
0507	ВИНТ CLXS М 4-12	61015153					•														
0508	ПЛОСКАЯ ПРОКЛАДКА D:18.4-12.2-1.5	60061855-14					•														

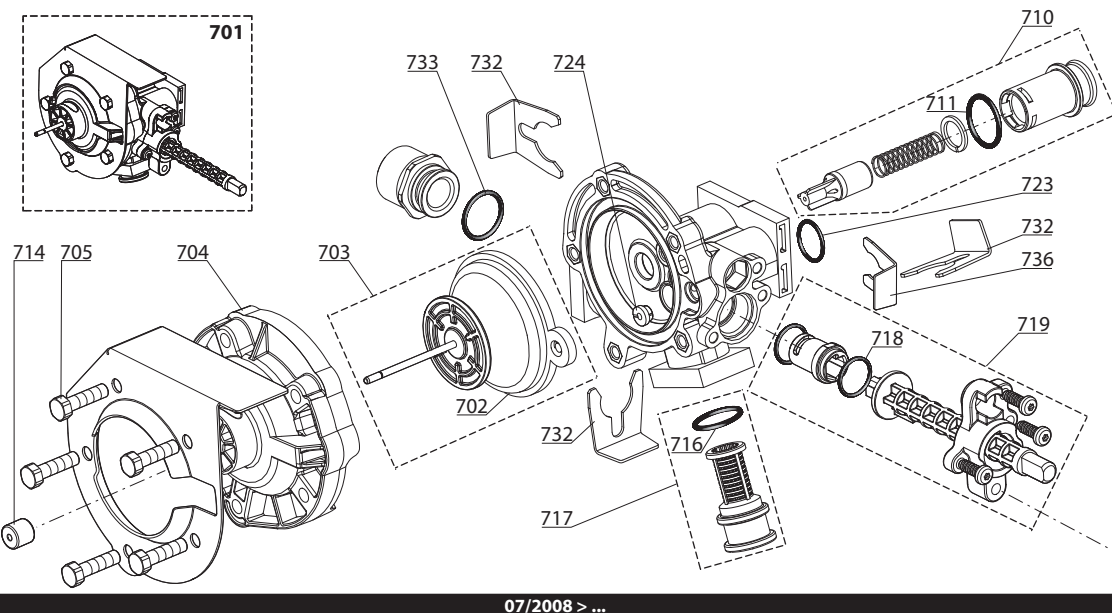
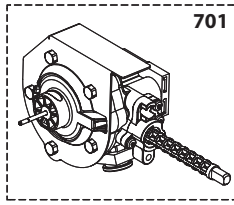
600



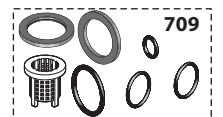
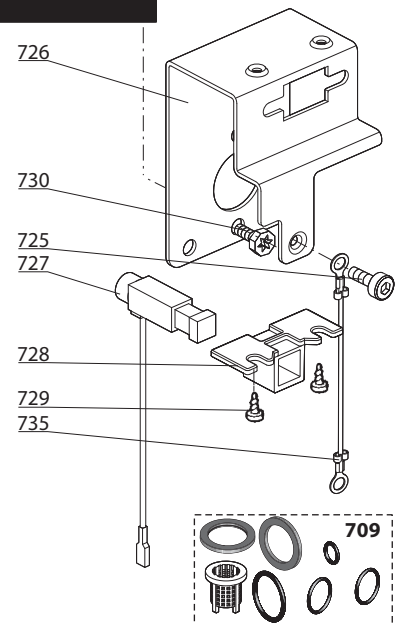
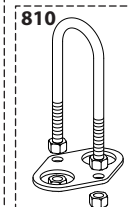
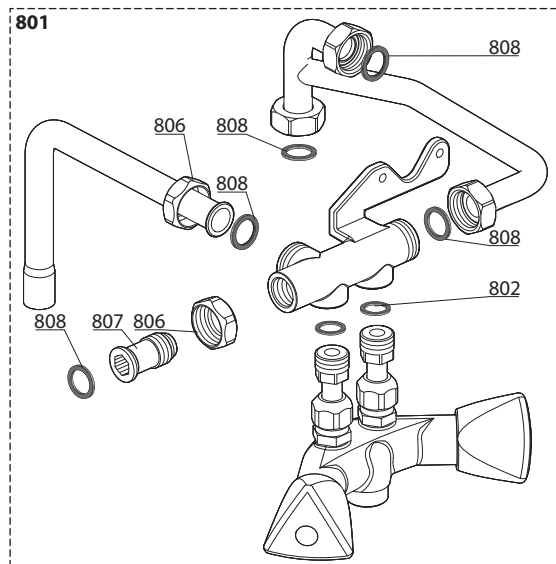




... > 06/2008 & 16 L

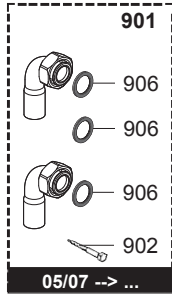
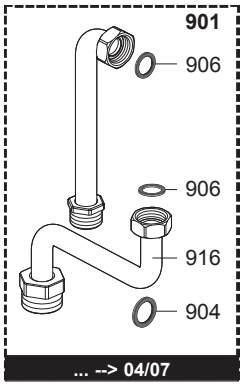


07/2008 > ...



⊖⇒	Description	Manf. Pt. N	Type	FAST 11 CF P FAST 14 CF P FAST 18 CF P																		31
				1	2	3	4	5	6	7	8	9	10	11	12	13	14	15	16	17	18	
<b>0700</b>	<b>WATER SECTION ASSY</b>																					
0701	WATER SECTION	60001020																				
	WATER SECTION	60001039																07/08				
	WATER SECTION	60001040																07/08				
	WATER SECTION	61313094																	06/08			
	WATER SECTION	61313095																	06/08			
0702	DIAPHRAGM	61316184																				
0703	WATER SECTION REPAIR KIT	61400383																				
0704	COVER	61400386																	06/08			
	COVER	61400386																				
	COVER	60001043																07/08				
0705	SCREW H M 5-16	61316211																	06/08			
	SCREW H M 5-16	61316211																				
	SCREW M 5-19	60001041																07/08				
0706	WATER THROTTLE ASSY	61400382																11/05	06/08			
	WATER THROTTLE ASSY	61400382																11/05				
0707	O-RING D: 3.4-1.8	61316255																				
0708	VENTURI	60001023																				
	VENTURI	61400387																	06/08			
0709	WATER SECTION GASKETS KIT	61400390																				
0710	WATER GOVERNOR KIT	60001164																07/08				
	WATER GOVERNOR KIT	60001165																07/08				
	WATER GOVERNOR KIT	61400384																	06/08			
	WATER GOVERNOR KIT	61400385																	06/08			
	WATER GOVERNOR KIT	61400385																				
0711	O-RING D: 13.94-2.62	61316176																	06/08			
	O-RING D: 13.94-2.62	61316176																				
	O-RING D:15.54-2.62	60001166																07/08				
0712	BY-PASS VALVE KIT	60001024																				
	BY-PASS VALVE KIT	61316253																	06/08			
0713	O-RING D: 5.5-1.8	61316224																				
0714	OPERATING LEVER	61316988																				
0715	WATER FILTER	61316171																				
0716	O-RING D: 13.94-2.62	61316176																07/08				
	SHEET GASKET D: 21-16-1.5	61316207																	06/08			
	SHEET GASKET D: 21-16-1.5	61316207																				
0717	PLUG KIT	60001159																07/08				
	PLUG KIT	61400381																	06/08			
	PLUG KIT	61400381																				
0718	O-RING D: 12-2	60001162																07/08				
	O-RING D: 9.5-1.5	61316254																	06/08			
	O-RING D: 9.5-1.5	61316254																				
0719	TEMPERATURE SELECTOR ASSY	60001025																				
	TEMPERATURE SELECTOR ASSY	60001160																07/08				
	TEMPERATURE SELECTOR ASSY	61400388																	06/08			
	TEMPERATURE SELECTOR ASSY	61400389																	06/08			
0720	VALVE	61316182																				
0723	O-RING D: 12.3-2.4	60024164-47																07/08				
	WASHER D: 18.4-12.2-1.5	60061855-14																	06/08			
	WASHER D: 18.4-12.2-1.5	60061855-14																				
0724	SLOW IGNITION DEVICE	61316206																				
0725	TAPPING SCREW CBLX D: 4.2-25	61010128																				
0726	SUPPORT BRACKET	61313507																				
0727	IGNITER	61313911																				
0728	FIXING BRACKET	61313912																				
0729	TAPPING SCREW CBLX D: 4.2-9.5	61010125																				
0730	SCREW CBLXS M 5-12	61301928																07/08				
	SCREW HSX M 5-8	61302631																	06/08			
	SCREW HSX M 5-8	61302631																				
0732	CLIP	60001163																				
0733	O-RING D: 13.94-2.62	61316176																				
0735	EARTH WIRE	60001171																				
0736	CLIP	60001170																				
<b>0800</b>	<b>MIXING BATTERY</b>																					
0801	MIXING BATTERY	60000030																				
0802	SHEET GASKET D: 14.8-10.3-1.5	60061854-11																				
0806	NUT 1/2" THICK: 10	60020747-38																				
0807	COLD WATER CONNECTION	60037186																				
0808	WASHER D: 18.4-12.2-1.5	60061855-14																				
0810	KIT BEARING MIXING BATTERY	60001311																				

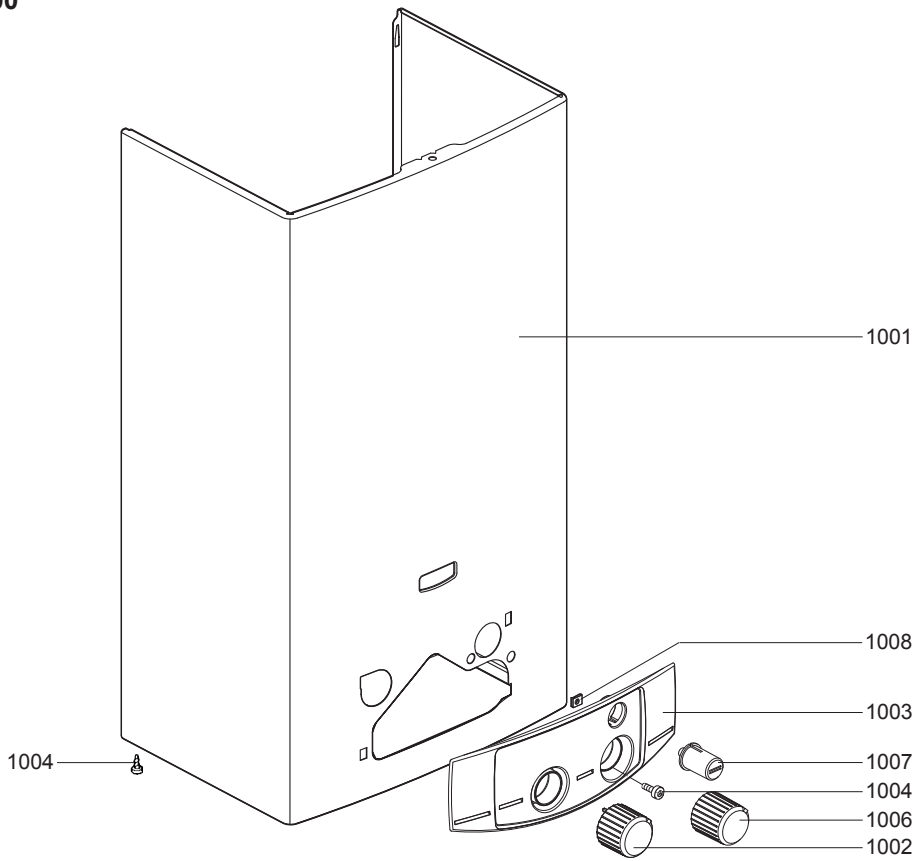
900



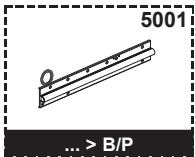
1000

FAST P

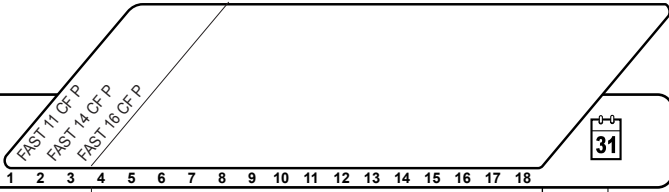
Instantaneous Gas Water Heaters



5000







☺	Description	Manf. Pt. N	Type																		
				1	2	3	4	5	6	7	8	9	10	11	12	13	14	15	16	17	18
<b>0900</b>	<b>JIG PLATE &amp; PIPE FITTING</b>																				
0901	CONNECTION KIT	60000610		●	●	●															
0902	WOOD SCREW	60025617-03		●	●	●															
0904	SHEET GASKET D: 23.8-14.4-1.5	60061855-18		●	●	●															
0906	WASHER D: 18.4-12.2-1.5	60061855-14		●	●	●															
0916	GAS TUBE	60000048		●	●	●															
<b>1000</b>	<b>FRONT CASE</b>																				
1001	FRONT CASE	61313207		●																	
	FRONT CASE	61313208			●	●															
1002	GAS CONTROL KNOB	61313357		●	●	●															
1003	FACIA	61317742		●	●	●															
1004	TAPPING SCREW CBLX D: 4.2-9.5	61010125		●	●	●															
1006	TEMPERATURE SELECTOR KNOB	61313782		●	●	●															
1007	IGNITOR CONTROL KNOB	61313892		●	●	●															
1008	CLIP	60074999		●	●	●															
<b>5000</b>	<b>ACCESSORIES</b>																				
5001	CONVERSION KIT > LPG	61316755		●																	
	CONVERSION KIT > LPG	61316757			●																
	CONVERSION KIT > LPG	60001027				●															

05/07

FAST P

Instantaneous Gas Water Heaters

## LIST OF THE ABBREVIATIONS

HW .....	: Hot water.
CW .....	: Cold water.
C .....	: Ceramic resistance (normal heating).
Ca .....	: Ceramic resistance (accelerated heating)
TP .....	: Immersion heater.
1F .....	: With fittings.
2F .....	: Without fittings.
3F .....	: With fittings and another outlet connection.
AMI .....	: With mixing valve.
SMI .....	: Without mixing valve.
PUISS .....	: Power of th appliance.
PN .....	: Appliance with normal pression.
LP .....	: Appliance with low pression.
PV .....	: Appliance with variable power.
PF .....	: Appliance with fixed power.

## IDENTIFICATION PLATE

### SERIAL NUMBER

<b>10 Characters :</b>	04 05 125 011	
		Sequential number
		Manufacturing day
		Year of manufacture
<b>11 Characters :</b>	1 95 065004 - 31	
Month of manufacture :		Technical number of the appliance
from 1 to 9 → Jan. to Sep.,		Sequential number
O → Oct., N → Nov.,		Year of manufacture
D → Dec.		
<b>19 Characters :</b>	08 05 0013199 900640031	
Year of manufacture		Product reference
Month of manufacture		Sequential number
<b>20 Characters :</b>	3675007 XX 2 07 070 00315	
Product reference		Sequential number
Millenium of manufacture		Manufacturing day
		Year of manufacture
<b>21 Characters :</b>	3675007 XX 07 070 0000315	
Product reference		Sequential number
Year of manufacture		Manufacturing day