



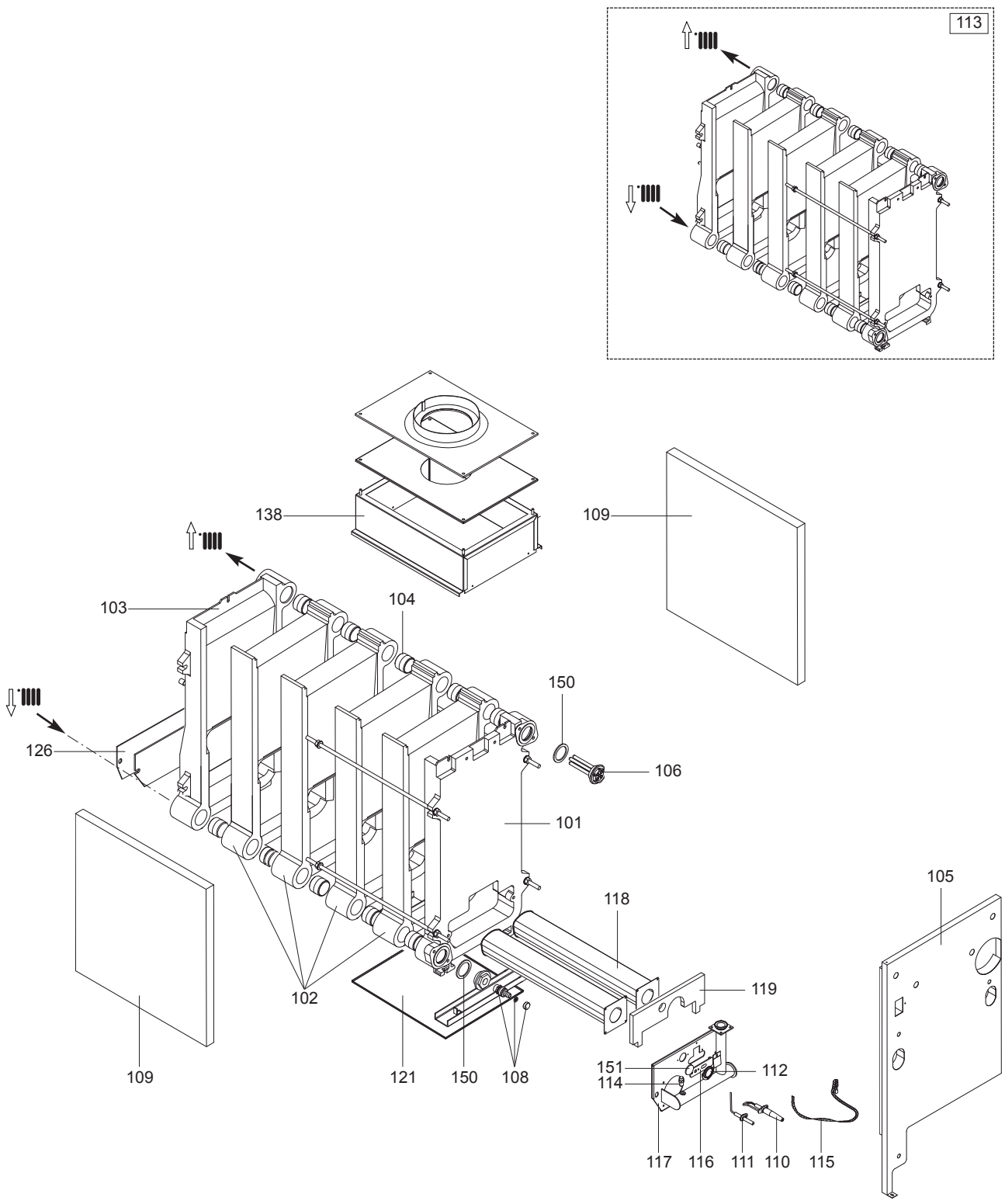
SPARE PARTS EXPLODED VIEW
GAS-STAND. BOILER ATM. BURNER
Model
UNOBLOC G 55/64

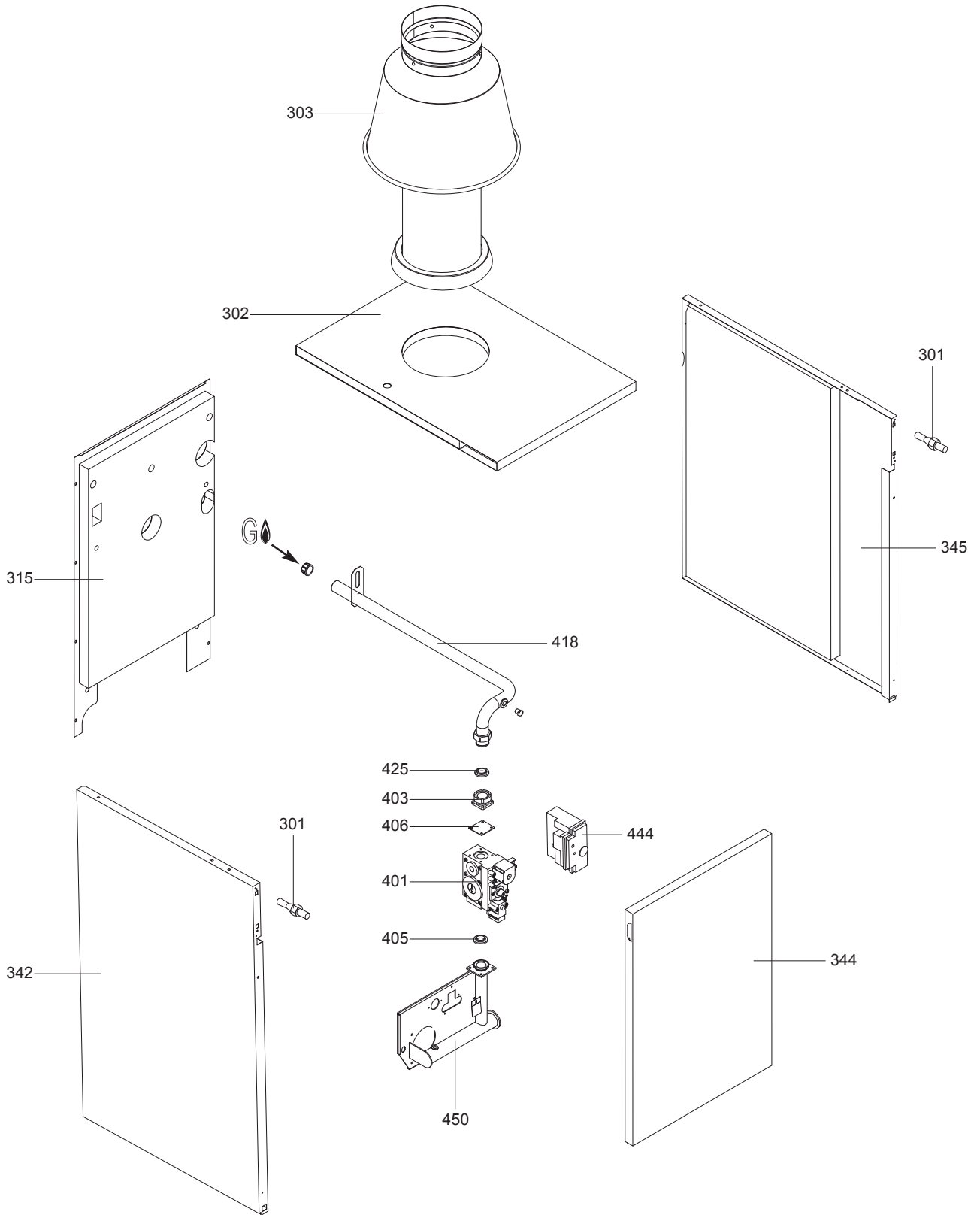
R8215596-03 - 16/04/2014

UNOBLOC G 55/64

Gas-stand. boiler atm. burner

1	3300021	UNOBLOC G 55 RI MET	09-2004	-
2	3300022	UNOBLOC G 64 RI MET	09-2004	-
Col	Reference	Model type	Begin	End

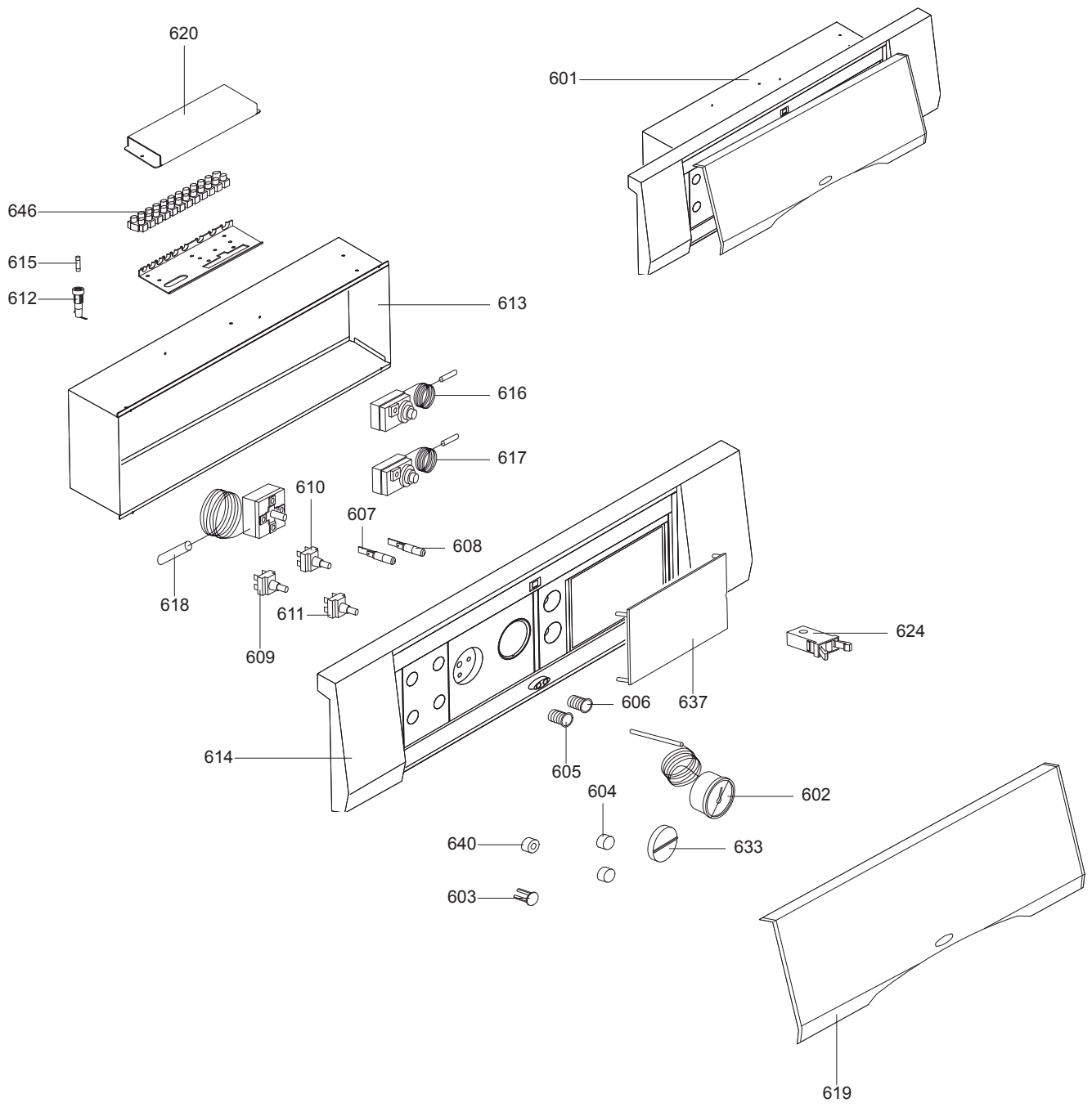




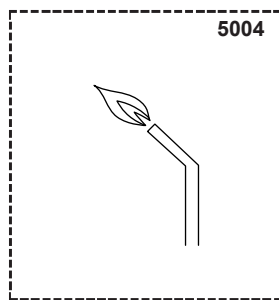
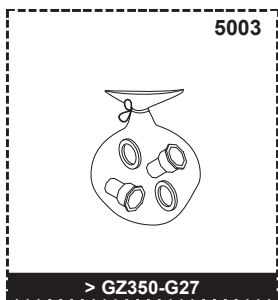
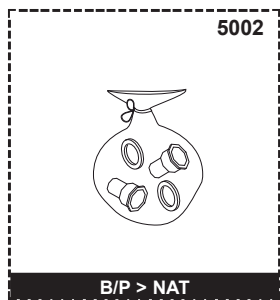
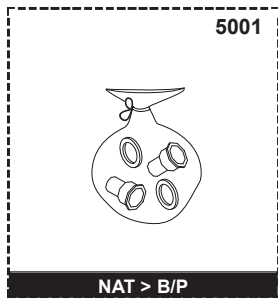
☉	Description	Manf. Pt. N	Type																			
				1	2	3	4	5	6	7	8	9	10	11	12	13	14	15	16	17	18	From
0300	CHASSIS-FRONT CASE																					
0301	RODS	65102663		•	•																	
0302	CASE (COVER)	65102722		•																		
	CASE (COVER)	65102734			•																	
0303	ANTIREFLUX	997641		•	•																	
0315	CASE PANEL (REAR)	65102703		•	•																	
0342	CASE PANEL (L.H. SIDE)	999733			•																	
	CASE PANEL (L.H. SIDE)	999732		•																		
0344	PANEL (FRONT CASE)	65102723		•	•																	
0345	CASE PANEL (R.H. SIDE)	999730		•																		
	CASE PANEL (R.H. SIDE)	999731			•																	
0400	GAS SECTION																					
0401	ELECTRIC GAS ELECTROVALVE	997638		•	•																	
0403	GAS FLANGE	997616		•	•																	
0405	GASKET	997410		•	•																	
0406	GASKET	997644		•	•																	
0418	GAS INLET PIPE	997629			•																	
	GAS INLET PIPE	65102715		•																		
0425	GASKET	65102708		•	•																	
0444	PRINTED CIRCUIT BOARD (FLAME CONTROL)	997354		•	•																	
0450	GAS MANIFOLD	65102707		•	•																	

UNOBLOC G 55/64

Gas-stand. boiler atm. burner



5000



LIST OF THE ABBREVIATIONS

HW	: Hot water.
CW	: Cold water.
C	: Ceramic resistance (normal heating).
Ca	: Ceramic resistance (accelerated heating)
TP	: Immersion heater.
1F	: With fittings.
2F	: Without fittings.
3F	: With fittings and another outlet connection.
AMI	: With mixing valve.
SMI	: Without mixing valve.
PUISS	: Power of th appliance.
PN	: Appliance with normal pression.
LP	: Appliance with low pression.
PV	: Appliance with variable power.
PF	: Appliance with fixed power.

IDENTIFICATION PLATE

SERIAL NUMBER

10 Characters :	04 05 125 011		
		Sequential number	
		Manufacturing day	
		Year of manufacture	
11 Characters :	1 95 065004 - 31		
Month of manufacture :		Technical number of the appliance	
from 1 to 9 → Jan. to Sep.,		Sequential number	
O → Oct., N → Nov.,		Year of manufacture	
D → Dec.			
19 Characters :	08 05 0013199 900640031		
Year of manufacture		Product reference	
Month of manufacture		Sequential number	
20 Characters :	3675007 XX 2 07 070 00315		
Product reference		Sequential number	
Millenium of manufacture		Manufacturing day	
		Year of manufacture	
21 Characters :	3675007 XX 07 070 0000315		
Product reference		Sequential number	
Year of manufacture		Manufacturing day	