



ARISTON

SPARE PARTS EXPLODED VIEW GAS WALL BOILERS

Model

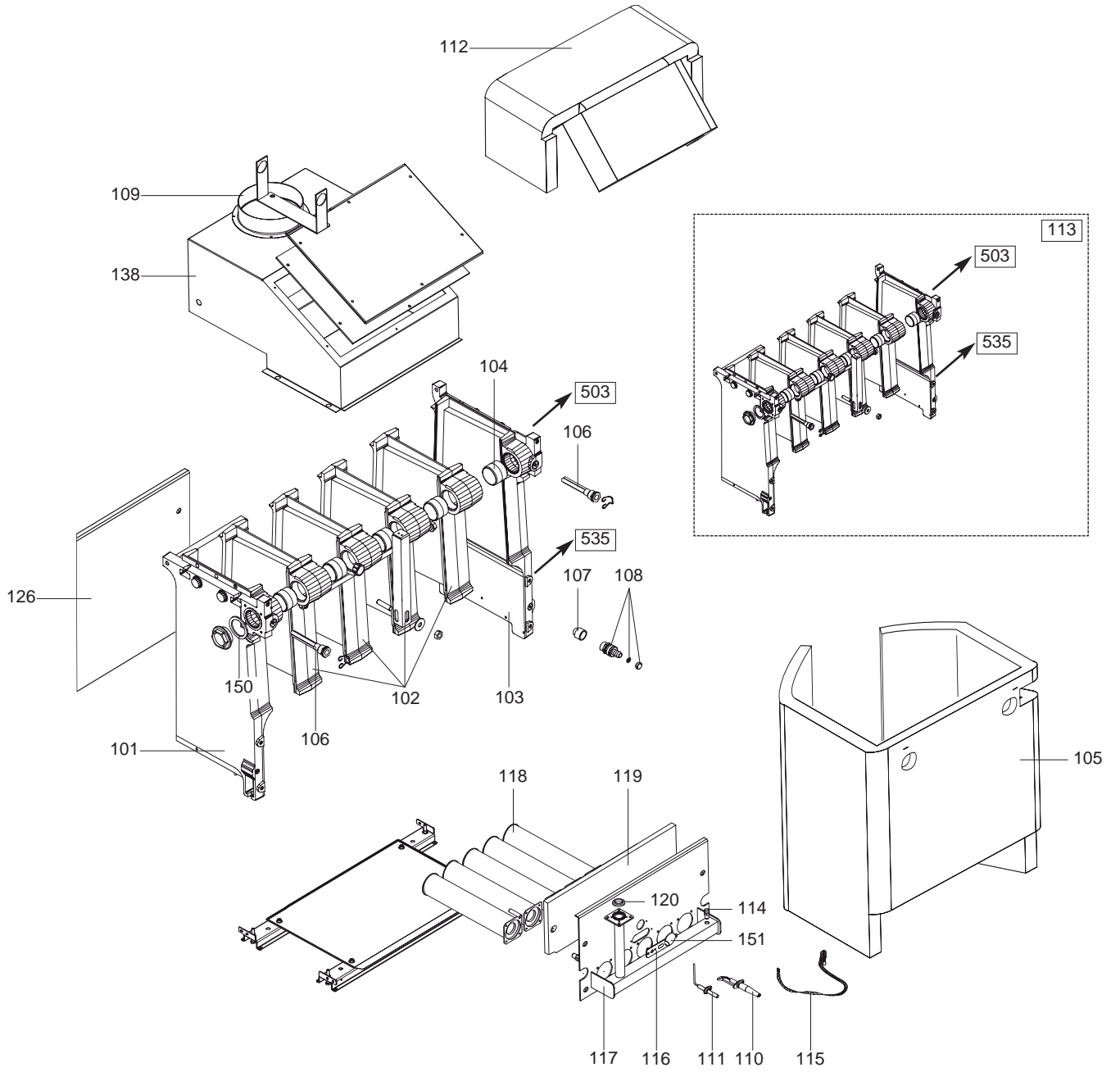
UNOBLOC G 24/31/38/45

R8215595-02EN - Edition 02 - 01/02/2011

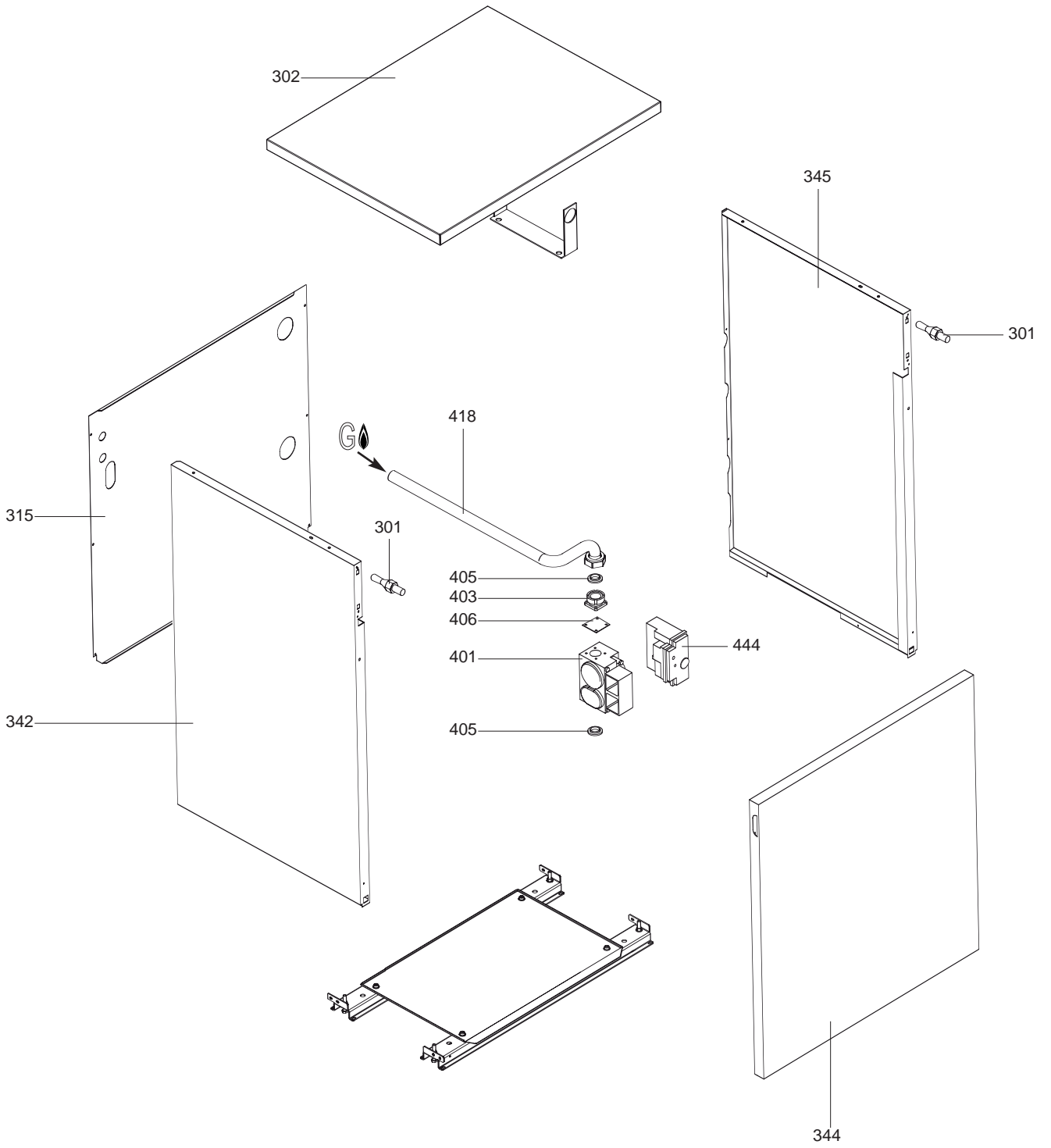
UNOBLOC G 24/31/38/45

Domestic Gas Boilers

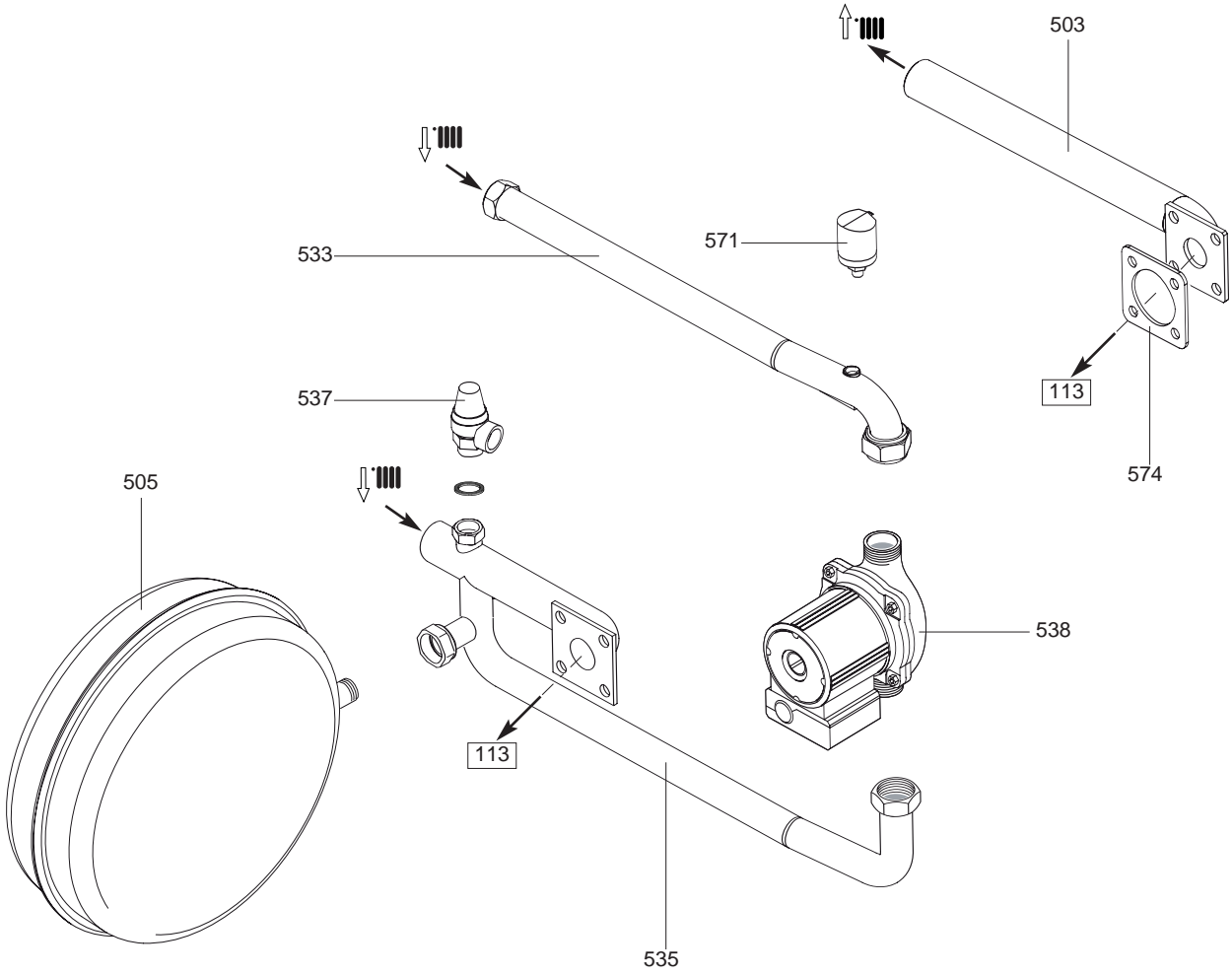
330 0017		UNOBLOC GPV 24 RI MET
330 0018		UNOBLOC GPV 31 RI MET
330 0019		UNOBLOC G 38 RI MET
330 0020		UNOBLOC G 45 RI MET
Reference	Ind.	Model type	Begin	End

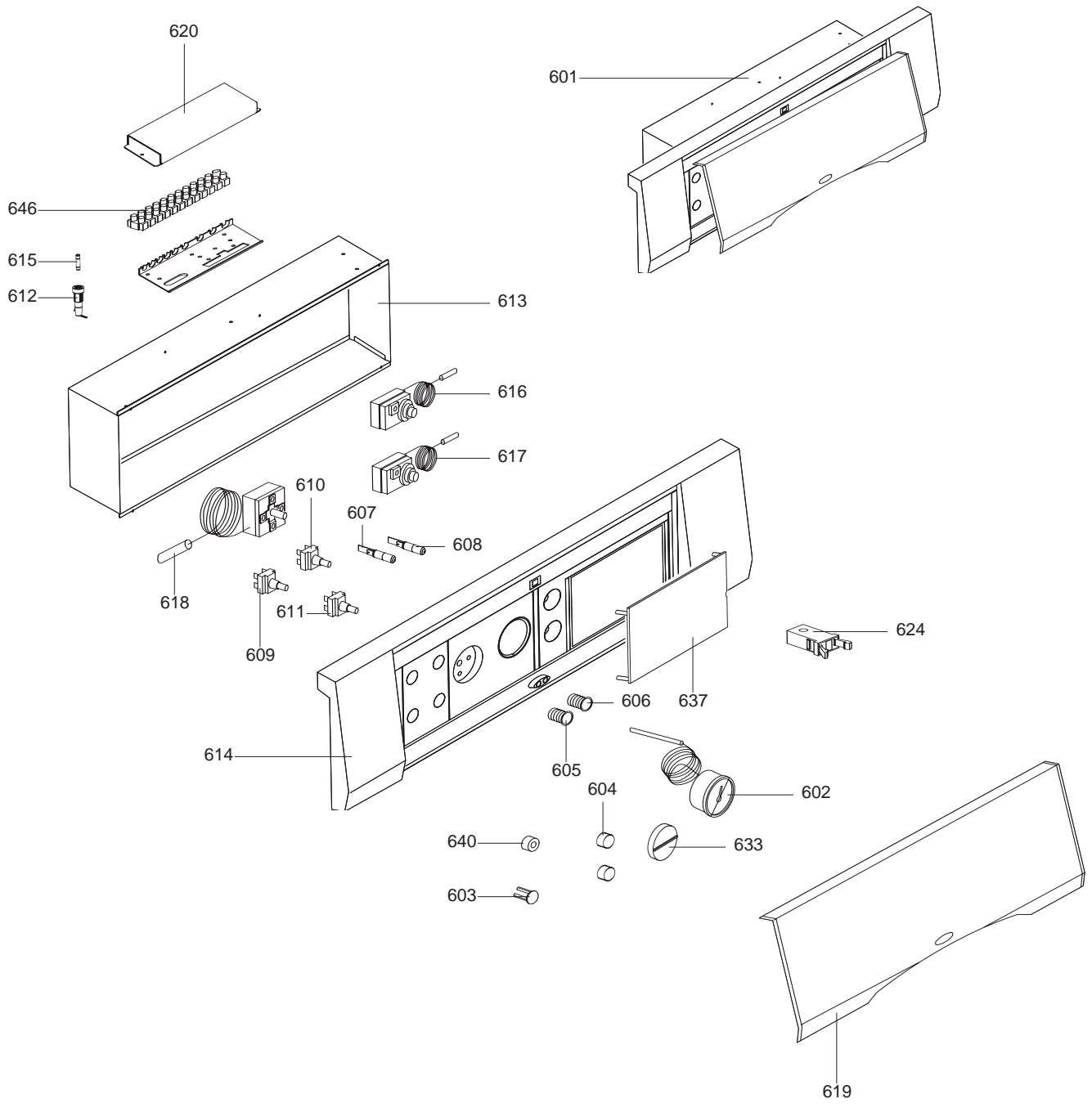


Key N	Description	Manf. Pt. N	Type					Manf. date	
				24	31	38	45	from	to
0100	SEALED CASE								
0101	SIDE ELEMENT (L.H.)	65102602		•	•	•	•		
0102	INTERMEDIATE ELEMENT	65102603		•	•	•	•		
0103	SIDE ELEMENT (R.H.)	65102604		•	•	•	•		
0104	BICONIC UNION	997318		•	•	•	•		
0105	BOILER INSULATION	65102613			•				
	BOILER INSULATION	65102619		•					
	BOILER INSULATION	65102672				•			
	BOILER INSULATION	65102689					•		
0106	PROBES HOLDER PLUG	65102607		•	•	•	•		
0107	EXTENSION M-F	65102609		•	•	•	•		
0108	DRAIN COCK	997390		•	•	•	•		
0109	COLLAR	65102614		•	•	•	•		
0110	ELECTRODE (IGNITION)	65102626		•	•	•	•		
0111	ELECTRODE (DETECTION)	65102636		•	•	•	•		
0112	FLUE HOOD INSULATION	65102612			•				
	FLUE HOOD INSULATION	65102617		•					
	FLUE HOOD INSULATION	65102671				•			
	FLUE HOOD INSULATION	65102688					•		
0113	CONDENSER	65102601			•				
	CONDENSER	65102605		•					
	CONDENSER	65102668				•			
	CONDENSER	65102685					•		
0114	INTAKE (PRESSURE)	997347		•	•	•	•		
0115	SHIELDING (IGNITION ELECTRODE)	999866		•	•	•	•		
0116	ELECTRODE HOLDER PLATE	65102634		•	•	•	•		
0117	GAS MANIFOLD	65102623			•				
	GAS MANIFOLD	65102625		•					
	GAS MANIFOLD	65102676				•			
	GAS MANIFOLD	65102690					•		
0118	PIPE (BURNER)	65102635		•	•	•	•		
0119	GAS MANIFOLD INSULATION	65102628			•				
	GAS MANIFOLD INSULATION	65102637		•					
	GAS MANIFOLD INSULATION	65102675				•			
	GAS MANIFOLD INSULATION	65102692					•		
0120	GASKET	997410		•	•	•	•		
0126	INSULATING PANEL	65102606		•					
	INSULATING PANEL	65102608			•				
	INSULATING PANEL	65102669				•			
	INSULATING PANEL	65102686					•		
0138	FLUE HOOD	65102610		•					
	FLUE HOOD	65102611			•				
	FLUE HOOD	65102670				•			
	FLUE HOOD	65102687					•		
0150	GASKET	997405		•	•	•	•		
0151	PILOT HOLE COVER	997432		•	•	•	•		

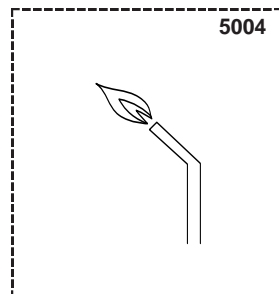
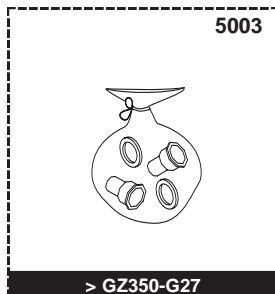
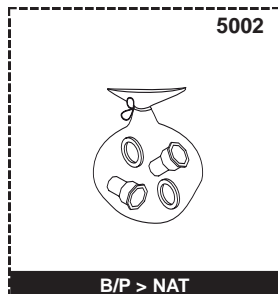
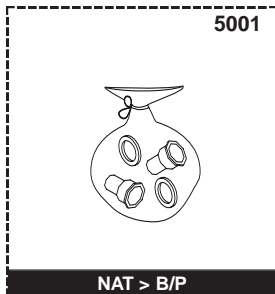


Key N	Description	Manf. Pt. N	Type					Manf. date	
				24	31	38	45	from	to
0300	CHASSIS-FRONT CASE								
0301	RODS	65102663		•	•	•	•		
0302	CASE (COVER)	65102666		•	•				
	CASE (COVER)	65102683				•	•		
0315	CASE PANEL (REAR)	65102621			•				
	CASE PANEL (REAR)	65102624		•					
	CASE PANEL (REAR)	65102679				•			
	CASE PANEL (REAR)	65102693					•		
0342	CASE PANEL (L.H. SIDE)	65102639		•	•	•	•		
0344	PANEL (FRONT CASE)	65102667		•	•				
	PANEL (FRONT CASE)	65102684				•	•		
0345	CASE PANEL (R.H. SIDE)	65102638		•	•	•	•		
0400	GAS SECTION								
0401	GAS ELECTROVALVE	997343		•	•	•	•		
0403	GAS FLANGE	997357		•	•	•	•		
0405	GASKET	997410		•	•	•	•		
0406	GASKET	997411		•	•	•	•		
0418	GAS INLET PIPE	65102630		•	•	•	•		
0444	PRINTED CIRCUIT BOARD (FLAME CONTROL)	997354		•	•	•	•		





5000



Key N	Description	Manf. Pt. N	Type					Manf. date	
				24	31	38	45	from	to
0600	ELECTRICAL BOX								
0601	ELECTRIC PANEL (COMPLETE)	65102640		•	•				
	ELECTRIC PANEL (COMPLETE)	65102680				•	•		
0602	THERMOMETER	65102659		•	•	•	•		07/00
	THERMOMETER	999807		•	•	•	•	08/00	
0603	PLUG	65102645		•	•	•	•		
0604	BUTTON	65102646		•	•	•	•		
0605	SIGNAL LAMP CAP (GREEN)	65102650		•	•	•	•		
0606	SIGNAL LAMP CAP (RED)	65102682		•	•	•	•		
0607	SIGNAL LAMP	65102652		•	•	•	•		
0608	SIGNAL LAMP	65102653		•	•	•	•		
0609	SWITCH	65102654		•	•	•	•		
0610	BIPOLAR SWITCH	65102655		•	•	•	•		
0611	SWITCH	65102656		•	•	•	•		
0612	FUSES HOLDER	65102657		•	•	•	•		
0613	CONTROL PANEL FRAME	65102648		•	•	•	•		
0614	CONTROL PANEL	65102641		•	•				
	CONTROL PANEL	65102681				•	•		
0615	FUSE	65102658		•	•	•	•		
0616	THERMOSTAT (SAFETY)	65102660		•	•	•	•		
0617	THERMOSTAT (FLUE SAFETY)	997429		•	•	•	•		
0618	THERMOSTAT (REGULATION)	65102662		•	•	•	•		
0619	ELECTRIC BOX COVER	65102664		•	•	•	•		
0620	SERVICE COVER	65102665		•	•	•	•		
0624	PUSH-PUSH	65102647		•	•	•	•		
0633	CONTROL KNOB	65102643		•	•	•	•		
0637	COVER (THERMOSTAT REGULATION)	65102642		•	•	•	•		
0640	PUSH BUTTON	65102644		•	•	•	•		
0646	COMPLETE WIRING (ELECTRIC PANEL)	65102649		•	•	•	•		
5000	ACCESSORY								
5001	LPG BURNER JET FULL KIT	65102976		•	•				
	LPG BURNER JET FULL KIT	65102977				•	•		
5002	NATURAL GAS BURNER JET FULL KIT	65102627		•					
	NATURAL GAS BURNER JET FULL KIT	65102629			•				
	NATURAL GAS BURNER JET FULL KIT	65102678				•			
	NATURAL GAS BURNER JET FULL KIT	65102691					•		
5003	GZ350-G27 GAS BURNER JET FULL KIT	65102979		•	•				
	GZ350-G27 GAS BURNER JET FULL KIT	65102980				•	•		
5004	INTERMITTENT PILOT (KIT)	65102982		•	•	•	•		

LIST OF THE ABBREVIATIONS

HW	: Hot water.
CW	: Cold water.
C	: Ceramic resistance (normal heating).
Ca	: Ceramic resistance (accelerated heating)
TP	: Immersion heater.
1F	: With fittings.
2F	: Without fittings.
3F	: With fittings and another outlet connection.
AMI	: With mixing valve.
SMI	: Without mixing valve.
PUISS	: Power of th appliance.
PN	: Appliance with normal pression.
LP	: Appliance with low pression.
PV	: Appliance with variable power.
PF	: Appliance with fixed power..

IDENTIFICATION PLATE

SERIAL NUMBER

11 Characters :	1 95 065004 - 31		
Month of manufacture :	1	95	065004 - 31
from 1 to 9 → Jan. to Sep.,			
O → Oct., N → Nov.,			
D → Dec.			
			Technical number of the appliance
			Sequential number
			Year of manufacture
19 Characters :	08 05 0013199 900640031		
Year of manufacture	08	05	0013199 900640031
Month of manufacture			
			Product reference
			Sequential number
20 Characters :	3675007 XX 2 07 070 00315		
Product reference	3675007	XX	2 07 070 00315
Millenium of manufacture			
			Sequential number
			Manufacturing day
			Year of manufacture
21 Characters :	3675007 XX 07 070 0000315		
Product reference	3675007	XX	07 070 0000315
Year of manufacture			
			Sequential number
			Manufacturing day

The indications mentioned on the prices, commercial or technical literature and the scheme are written for your guidance and are available at a given time. The CONSTRUCTOR retains the power to modify the presentation, the form, the size, the conception or the material of the products.